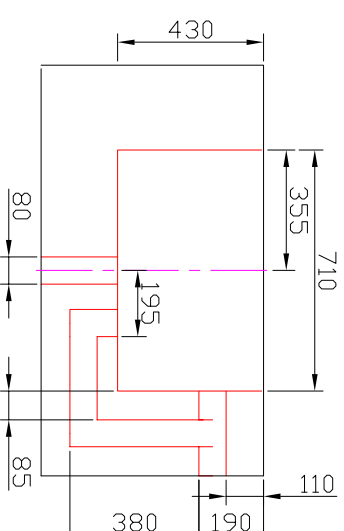
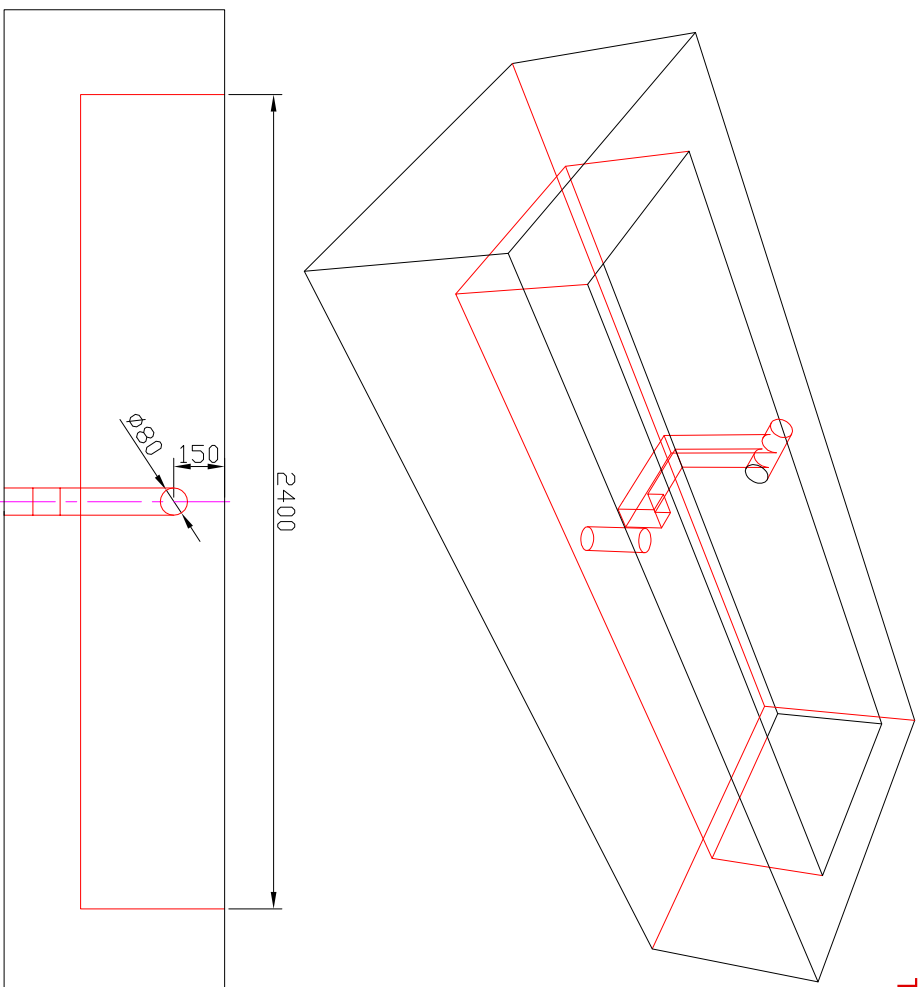


PRODUCT:	CLASS 4 ROLLER BRAKE TESTER
DRAWING NO.:	BOS0381 IssC
DESCRIPTION:	INSTALLATION CARTRIDGE GROUNDWORK

IMPORTANT NOTE

THIS DRAWING GIVES THE MINIMUM EXCAVATION SIZE FOR THE FITMENT OF A ROLLER BRAKE TESTER INSTALLATION CARTRIDGE. THE HOLE WILL NEED TO BE BACKFILLED WITH A "WET MIX" CONCRETE TO FULLY SUPPORT THE INSTALLATION CARTRIDGE PRIOR TO USE. WHEN THE CARTRIDGE IS INSTALLED, THE CONCRETE MUST SLOPE TOWARDS THE DRAIN WITH A MINIMUM GRADIENT OF 2%. THE CABLE ENTRY AND DRAINAGE HOLES ARE SUGGESTIONS.



NOTES:-

1. Dimensions are in mm.
2. General Dimensions in the drawing are +/- 5mm
3. Concrete Specification - RC30 or C30
4. Maximum recommended distance between brake tester and controls - 5m
5. Connecting PVC conduit to be 80mm diameter
6. Either conduit route (straight through or under) can be used
7. Equipment dimensions: 2340mm x 660mm x 300mm
8. Electrical connection required: 3 Phase, Earth, Neutral, 400V, 50Hz, 20A (2 x 3.0 kW Motors)